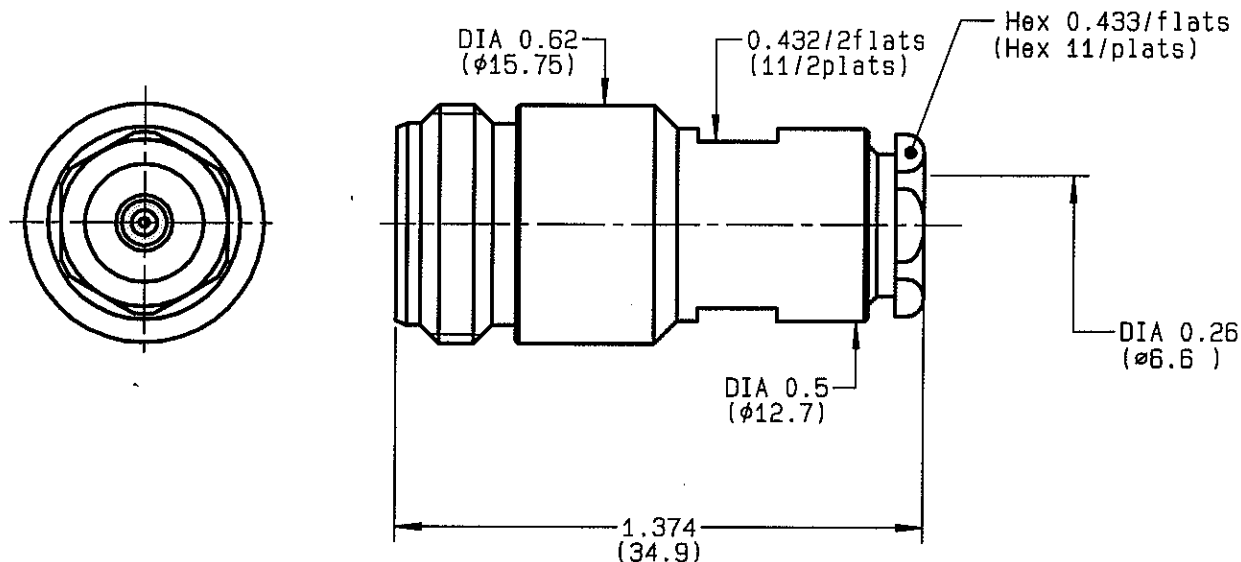


**STRAIGHT JACK CLAMP TYPE  
CABLE 6/75+93 S**

**R162.212.000**

**SERIES N 75**



NOMINAL IMPEDANCE	<b>75</b> Ω	CABLES : <b>KX 6A</b>
FREQUENCY RANGE	<b>0-1.5</b> GHz	<b>RG 59</b>
TEMPERATURE RATING	<b>-55/+155</b> °C	<b>RG 62</b>
V.S.W.R	<b>1.06</b> + x F(GHz)Maxi	
RF INSERTION LOSS	<b>0.15</b> √F(GHz) dB Maxi	
VOLTAGE RATING	<b>850</b> Veff Maxi	
DIELECTRIC WITHSTANDING VOLTAGE	<b>1500</b> Veff Mini	
INSULATION RESISTANCE	<b>5000</b> MΩMini	OTHERS CHARACTERISTICS
HERMETIC SEAL	<b>NA</b> Atm.cm <sup>3</sup> /s	CABLE RETENTION
LEAKAGE (pressurized only)	<b>NA</b>	<b>200</b> N Mini
MECHANICAL DURABILITY	<b>500</b> Cycles	CENTER CONTACT RETENTION
WEIGHT	<b>28.2</b> gr	Axial force - mating end
SPECIFICATION		<b>NA</b> N Mini
		Axial force - opposite end
		<b>NA</b> N Mini
		Torque
		<b>NA</b> cm.N Mini
		RECOMMENDED TORQUES
		Mating
		<b>NA</b> cm.N
		Panel nut
		<b>NA</b> cm.N
		Clamp nut
		<b>450</b> cm.N

CONNECTOR PARTS	MATERIALS	FINISH	(all values are given ) in micrometers
BODY	BRASS	BBR 2	
OUTER CONTACT	BRASS	BBR 2	
CENTER CONTACT	BERYLLIUM COPPER	GOLD 0.5 OVER NICKEL 2	
INSULATOR	PTFE	-	
GASKET	-	-	
OTHERS PIECES	BRASS	BBR 2	

ISSUE	CREATION DATE	FILE PART-NUMBER
<b>9912F00</b>	<b>05-DEC-94</b>	<b>EPC 96-07</b>



*Connect to the future*

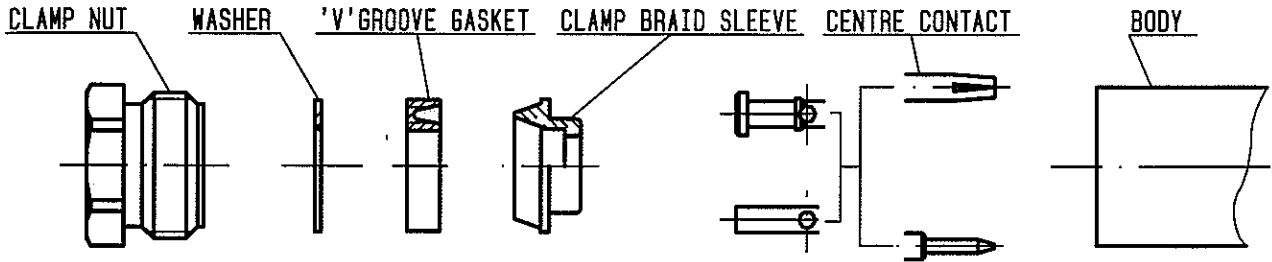
The information given here is subject to change without notice.  
Design changes may be in order to improve the product.

GAUTIE



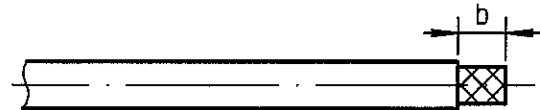
**R162.212.000**

ISSUE 9912F00 SERIES N 75



①

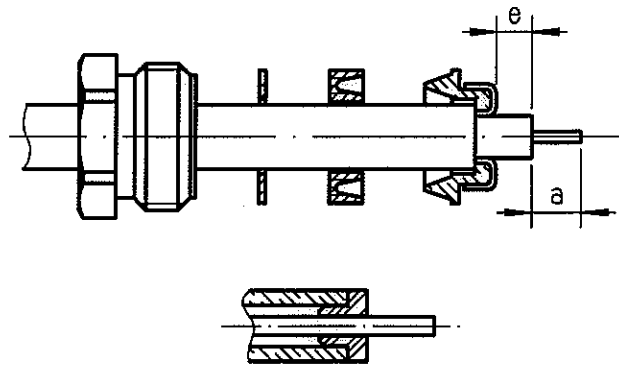
Strip the cable .



Stripping	a	b	c	d	e
inch	0.157	0.315	0	0	0.079
mm	4	8			2

②

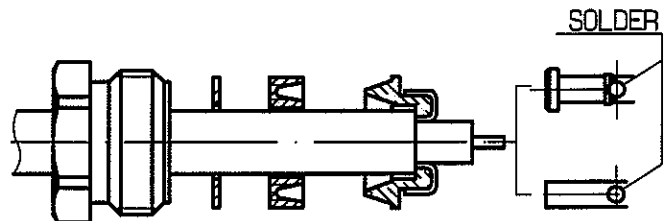
Slide the clamp nut , the washer and the 'V' groove gasket onto the cable .  
 Slide clamp braid sleeve over braid .  
 Fold back braid and trim off surplus braid .  
 Trim back dielectric as shown .



NOTA: For air-space PE cables , "e" = 0.039  
 Introduce insulator onto dielectric cable .

③

Solder the cable inner conductor into centre contact .



④

Screw sub-assembly into the connector body .  
 ( recommended coupling torque 39.82 in.lb )

